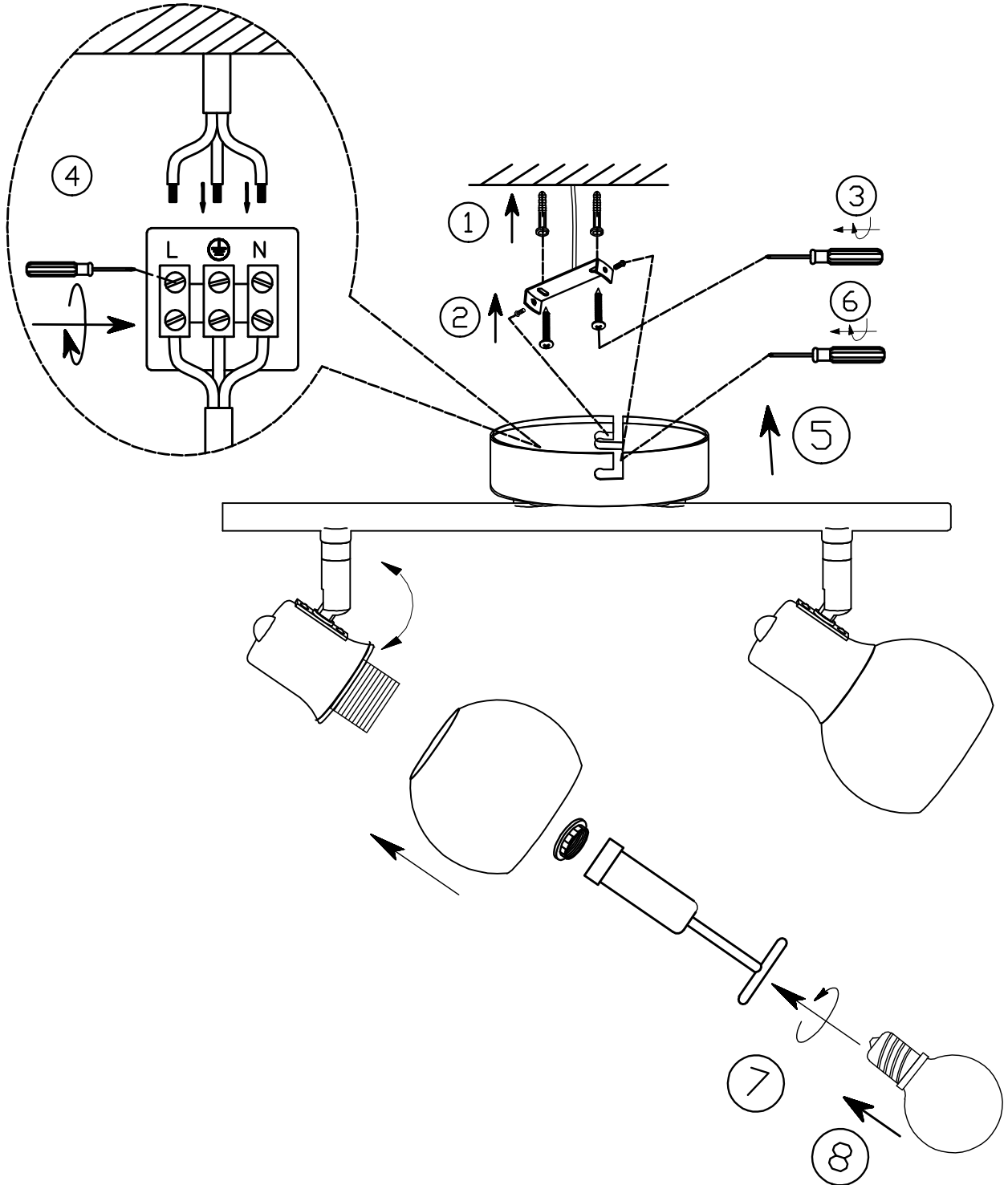


**GLOBO**  
LIGHTING  
[www.globo-lighting.com](http://www.globo-lighting.com)

**54845-2**

B



**GLOBO Handels GmbH**  
**St.Peter 38**  
**A-9184 St.Jakob/Rosental**

